

LT920 / LT930

MINIATURE LCD TIME TOTALISER

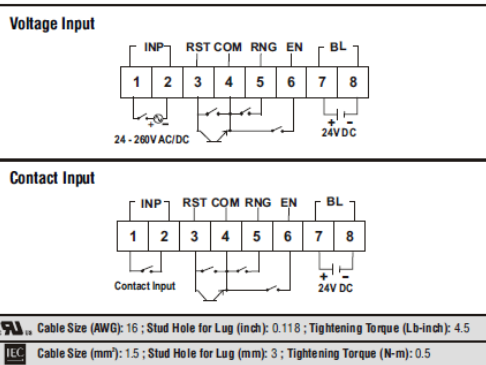


1/32 DIN
24mm x 48mm

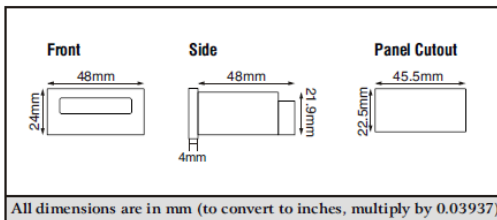
ORDERING INFORMATION

Part No.	Input Type		Back Light
	Contact	Voltage	
LT920-C	■		
LT920-V		■	
LT930-C	■		■
LT930-V		■	■

TERMINAL CONNECTIONS



DIMENSIONS



FEATURES

- 8 Digit LCD Time Totaliser
- Self Powered
- Long battery Life
- Contact / Voltage Input
- Back Light

TECHNICAL SPECIFICATIONS

INPUT SPECIFICATIONS

Input Type a) 24 to 260V AC/DC
b) Contact input

Accuracy 0.05%

Reset Front , Remote

FUNCTIONAL SPECIFICATIONS

Range a) 9999.59.59 hr:min:sec
b) 999999.99 hr

Counting Direction Up

Memory 5 years

GENERAL SPECIFICATIONS

Supply Voltage Battery powered

Auxiliary Supply (Back Light) 24V DC (external)

Temperature Operating: 0 to 50°C (32 to 122°F)
Storage: -20 to 75°C (-4 to 167°F)

Humidity (non-condensing) 95% RH

Weight 30 g (0.066 lbs)

Protection Level IP40 for faceplate